

TECHNICAL DATA SHEET

LU6AL IP20 / Aga-Led® Type A

VERSION - 29.04.2016

STANDARD LUMINAIRE

Reference	LU6AL
Protection Class	IP20
Lighting Source	Aga-Led® Type A
Connector	Rigid Loop on B'Light conductor 16mm ²
Dimensions	35 x 39mm
Standard Length	120 - 495 - 990 - 1485 - 1980mm
Length on measure	on request up to 2970mm
Nb Lighting Unit	17 LED/m
Voltage	24V
Power	17 W/m
Connecting Cable	1m standard cable 2x1.5mm ²

FINISH

Color Finishing Profil

Standard	Natural Anodised Aluminium
On request	Thermo-Enameling Powder Coating RAL Color Anodising Polished Aluminium Chrome Aspect Polished Aluminium Gold Aspect

ON REQUEST

Cover	CRPS (Ht:+1mm) VSM6: Opaline Glass (Ht:+20mm)
End Caps	ERPS ERPS-N (luminaire length mini 140mm)
Connecting Plug	AMS / AF
Dimming Option	1-10V, Dali, KNX <i>Ask technical departement for more information</i>

LIGHTING SOURCE

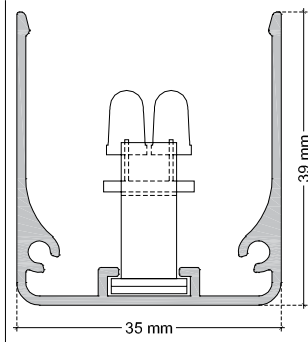
Lighting Source	Aga-Led® Type A
Ref	A10
Voltage	24V
Power	1W
Beam Angle	15°
CRI	80
Lifetime	60'000h
Working T°	-30°C ~ +55°C
Option	AGC: Anti Glare Optic



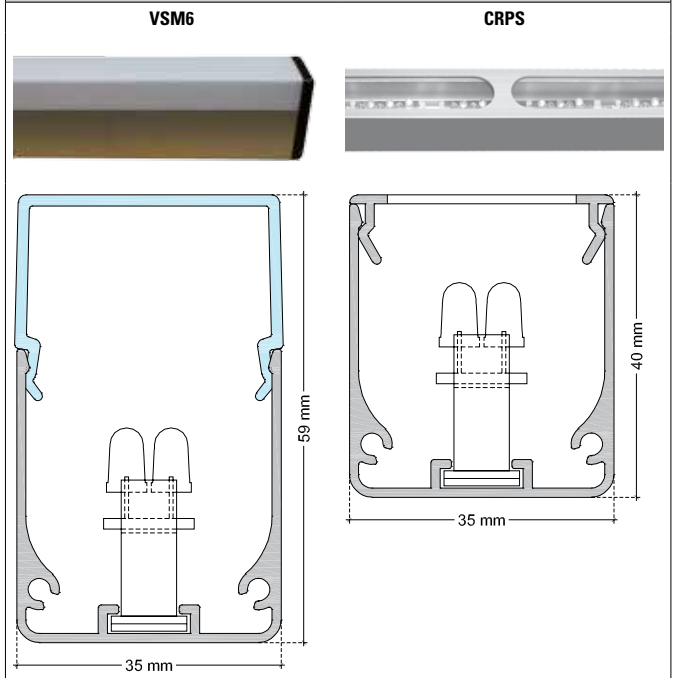
APPLICATION: Walls, Frescoes



LU6AL / AGA-LED® TYPE A - Rigid Loop



ON REQUEST: LU6AL Cover



Color Temperature & Luminous Flux / Unit

CCT	2800K	4000K
Luminous Flux/Unit	40 lm	45 lm

CERTIFICAT



ON REQUEST: LU6AL End Caps

